

# Hyper SuperServer SYS-221H-TN24R

2U Hyper with 24 hot-swap 2.5" NVMe/SAS/SATA bays and 4 PCIe 5.0 x16 slots + up to 2 PCIe 5.0 x16 AIOM slots



More details here

## Key Applications

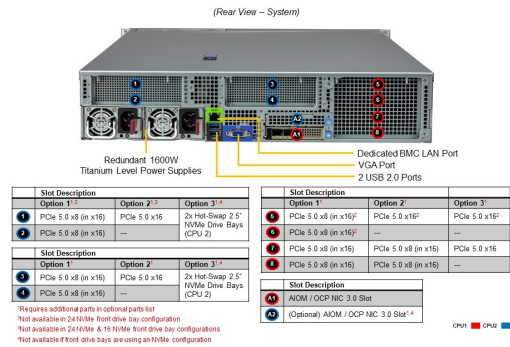
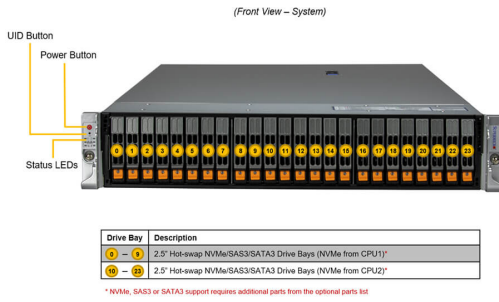
Virtualization, Software-defined Storage, AI Inference and Machine Learning, Cloud Computing, Enterprise Server,

## Key Features

- Dual Socket E (LGA-4677) 5th/4th Gen Intel® Xeon® Scalable processors;
- 32 DIMM slots supporting up to 8TB of memory; RDIMMs up to DDR5-5600;
- Optional PCIe slot configurations up to 8 PCIe 5.0 x8 or 4 PCIe 5.0 x16 slots with support for double-width GPU/Accelerator cards;
- Flexible networking options with up to 2 AIOM networking slots (OCP NIC 3.0 compatible);
- 24x 2.5" hot-swap NVMe/SATA/SAS drive bays, 2x internal M.2 NVMe/SATA drive slots, Optional RAID support via storage add-on card;
- 4 heavy duty hot-swap fans with optimal fan speed control;



Form Factor	2U Rackmount Enclosure: 437 x 88.9 x 760mm (17.2" x 3.5" x 29.9") Package: 605 x 263 x 1107mm (23.8" x 10.4" x 43.6")
Processor	Dual Socket E (LGA-4677) 5th Gen Intel® Xeon® / 4th Gen Intel® Xeon® Scalable processors Supports Intel Xeon CPU Max Series with high bandwidth memory (HBM) Up to 64C/128T; Up to 320MB Cache per CPU
GPU	Max GPU Count: Up to 2 double-width or 3 single-width GPUs Supported GPU: NVIDIA PCIe: RTX A2000, L40S, A100
System Memory	Slot Count: 32 DIMM slots Max Memory (1DPC): Up to 4TB 5600MT/s ECC DDR5 RDIMM Max Memory (2DPC): Up to 8TB 4400MT/s ECC DDR5 RDIMM
Drive Bays Configuration	Default: Total 24 bays • 24 front hot-swap 2.5" NVMe*/SAS*/SATA* drive bays (*NVMe/SAS/SATA support may require additional storage controller and/or cables) M.2: 2 M.2 NVMe/SATA slots (M-key 2280/22110)
Expansion Slots	PCI-Express (PCIe) Configuration: Option A* • 4 PCIe 5.0 x16 (in x16) FH/10.5"L double-width slots • 2 PCIe 5.0 x16 AIOM slots (OCP 3.0 compatible) Option B* • 8 PCIe 5.0 x8 (in x16) FH/10.5"L slots • 2 PCIe 5.0 x16 AIOM slots (OCP 3.0 compatible) M.2: 2 M.2 NVMe/SATA slots (B+M-key 2280/22110)
On-Board Devices	SATA: SATA (6Gbps) ; RAID 0/1/5/10 support NVMe: NVMe; RAID 0/1/5/10 support(Intel® VROC RAID key required) Chipset: Intel® C741 Network Connectivity: Via AIOM
Input / Output	LAN: 1 RJ45 1 GbE Dedicated BMC LAN port USB: 2 USB 2.0 ports(rear) 2 USB 3.0 ports(Header) Video: 1 VGA port



System Cooling	Fans: 4x 8cm heavy duty fans with optimal fan speed control Air Shroud: 2 Air Shrouds Liquid Cooling: Direct to Chip (D2C) Cold Plate (optional)
Power Supply	2x 1600W Redundant Titanium Level (96%) power supplies
System BIOS	BIOS Type: AMI 64MB SPI Flash
Management	SuperCloud Composer; Supermicro Server Manager (SSM); Supermicro Update Manager (SUM); Supermicro SuperDoctor® 5 (SD5); Super Diagnostics Offline (SDO); Supermicro Thin-Agent Service (TAS); SuperServer Automation Assistant (SAA) New!
PC Health Monitoring	CPU: Monitors for CPU Cores, Chipset Voltages, Memory FAN: Fans with tachometer monitoring Status monitor for speed control Pulse Width Modulated (PWM) fan connectors Temperature: Monitoring for CPU and chassis environment Thermal Control for fan connectors
Dimensions and Weight	Weight: Gross Weight: 66 lbs (30 kg) Net Weight: 40 lbs (18.2 kg) Available Color: N/A
Operating Environment	Operating Temperature: 10°C ~ 35°C (50°F ~ 95°F) Non-operating Temperature: -40°C to 70°C (-40°F to 158°F) Operating Relative Humidity: 8% to 90% (non-condensing) Non-operating Relative Humidity: 5% to 95% (non-condensing)
Motherboard	<a href="#">Super X13DEM</a>
Chassis	<b>CSE-HS219-R1K63P</b>