

TOSHIBA



Microwave Oven

INSTRUCTION MANUAL

Model:

MW2-MM20PF(BK)
MW2-MM23PF(BK)

Read these instructions carefully before using your microwave oven, and keep it carefully.

If you follow the instructions, your oven will provide you with many years of good service.

SAVE THESE INSTRUCTIONS CAREFULLY

English

MW2-MM20PF(BK)
MW2-MM23PF(BK)

CONTENTS

CONTENTS	1
PRECAUTIONS.....	2
SPECIFICATIONS.....	2
IMPORTANT SAFETY INSTRUCTIONS.....	3-4
CLEANING	5
UTENSILS	5-6
SET UP & INSTALLATION	7-8
OPERATION.....	9
TROUBLE SHOOTING.....	10

PRECAUTIONS

PRECAUTIONS TO AVOID POSSIBLE EXPOSURE TO EXCESSIVE MICROWAVE ENERGY

- (a) Do not attempt to operate this oven with the door open since this can result in harmful exposure to microwave energy. It is important not to break or tamper with the safety interlocks.
- (b) Do not place any object between the oven front face and the door or allow cleaner residue to accumulate on sealing surfaces.
- (c) **WARNING:** If the door or door seals are damaged, the oven must not be operated until it has been repaired by a competent person.

ADDENDUM

If the apparatus is not maintained in a good state of cleanliness, its surface could be degraded and affect the life span of the apparatus and lead to a dangerous situation.

SPECIFICATIONS

Model:	MW2-MM20PF(BK)	MW2-MM23PF(BK)
Rated Voltage:	230-240V~50Hz	230-240V~50Hz
Power Consumption (Microwave):	1200-1270W	1200-1250W
Rated Output Power (Microwave):	750-800W	750-800W
Oven Capacity:	20L	23L
Turntable Diameter:	Φ 255mm	Φ 288mm
Outside Dimensions (W x D x H):	440x357x259mm	485x405x293mm
Net Weight:	Approx. 11.4 kg	Approx. 13.0 kg

IMPORTANT SAFETY INSTRUCTIONS

WARNING

To reduce the risk of fire, electric shock, injury to persons or exposure to excessive microwave oven energy when using your appliance, follow basic precautions, including the following:

1. Read and follow the specific: "PRECAUTIONS TO AVOID POSSIBLE EXPOSURE TO EXCESSIVE MICROWAVE ENERGY".
2. This appliance can be used by children and persons with reduced physical, sensory or mental capabilities or lack of experience and knowledge if they have been given supervision or instruction concerning use of the appliance in a safe way and understand the hazards involved. Children shall not play with the appliance. Cleaning and user maintenance shall not be made by children unless they are supervised.
3. Keep the appliance and its cord away from children unless they are continuously supervised.
4. If the supply cord is damaged, it must be replaced by the manufacturer, its service agent or similarly qualified persons in order to avoid a hazard.
5. WARNING: Ensure that the appliance is switched off before replacing the lamp to avoid the possibility of electric shock.
6. WARNING: It is hazardous for anyone other than a competent person to carry out any service or repair operation that involves the removal of a cover which gives protection against exposure to microwave energy.
7. WARNING: Liquids and other foods must not be heated in sealed containers since they are liable to explode.
8. When heating food in plastic or paper containers, keep an eye on the oven due to the possibility of ignition.
9. Only use utensils that are suitable for use in microwave ovens.
10. If smoke is emitted, switch off or unplug the appliance and keep the door closed in order to stifle any flames.
11. Microwave heating of beverages can result in delayed eruptive boiling, therefore care must be taken when handling the container.
12. The contents of feeding bottles and baby food jars shall be stirred or shaken and the temperature checked before consumption, in order to avoid burns.
13. Eggs in their shell and whole hard-boiled eggs should not be heated in microwave ovens since they may explode, even after microwave heating has ended.
14. The oven should be cleaned regularly and any food deposits removed.
15. Failure to maintain the oven in a clean condition could lead to deterioration of the surface that could adversely affect the life of the appliance and possibly result in a hazardous situation.
16. Only use the temperature probe recommended for this oven. (for ovens provided with a facility to use a temperature-sensing probe.)
17. The microwave oven shall not be placed in a cabinet unless it has been tested in a cabinet.
18. This appliance is intended to be used in household and similar applications such as:
 - staff kitchen areas in shops, offices and other working environments;
 - by clients in hotels, motels and other residential type environments;
 - farm houses;
 - bed and breakfast type environments.
19. The microwave oven is intended for heating food and beverages. Drying of food or clothing and heating of warming pads, slippers, sponges, damp cloth and similar may lead to risk of injury, ignition or fire.
20. Metallic containers for food and beverages are not allowed during microwave cooking.
21. The appliance shall not be cleaned with a steam cleaner.

- 22. The appliance is intended to be used freestanding.
- 23. The rear surface of appliances shall be placed against a wall.
- 24. The appliances are not intended to be operated by means of an external timer or separate remote-control system.

READ CAREFULLY AND KEEP FOR FUTURE REFERENCE

To Reduce the Risk of Injury to Persons Grounding Installation

DANGER

Electric Shock Hazard

Touching some of the internal components can cause serious personal injury or death. Do not disassemble this appliance.

WARNING

Electric Shock Hazard

Improper use of the grounding can result in electric shock.

Do not plug into an outlet until appliance is properly installed and grounded.

This appliance must be grounded. In the event of an electrical short circuit, grounding reduces the risk of electric shock by providing an escape wire for the electric current.

This appliance is equipped with a cord having a grounding wire with a grounding plug. The plug must be plugged into an outlet that is properly installed and grounded.

Consult a qualified electrician or serviceman if the grounding instructions are not completely understood or if doubt exists as to whether the appliance is properly grounded.

If it is necessary to use an extension cord, use only a 3-wire extension cord.

1. A short power-supply cord is provided to reduce the risks resulting from becoming entangled in or tripping over a longer cord.
2. If a long cord set or extension cord is used:
 - 1) The marked electrical rating of the cord set or extension cord should be at least as great as the electrical rating of the appliance.
 - 2) The extension cord must be a grounding-type 3-wire cord.
 - 3) The long cord should be arranged so that it will not drape over the counter top or tabletop where it can be pulled on by children or tripped over unintentionally.

CLEANING

Be sure to unplug the appliance from the power supply.

1. Clean the cavity of the oven after using with a slightly damp cloth.
2. Clean the accessories in the usual way in soapy water.
3. The door frame and seal and neighboring parts must be cleaned carefully with a damp cloth when they are dirty.
4. Do not use harsh abrasive cleaners or sharp metal scrapers to clean the oven door glass since they can scratch the surface, which may result in shattering of the glass.
5. **Cleaning Tip**--For easier cleaning of the cavity walls that the food cooked can touch: Place half a lemon in a bowl, add 300ml (1/2 pint) water and heat on 100% microwave power for 10 minutes. Wipe the oven clean using a soft, dry cloth.

UTENSILS

CAUTION

Personal Injury Hazard

It is hazardous for anyone other than a competent person to carry out any service or repair operation that involves the removal of a cover which gives protection against exposure to microwave energy.

See the instructions on "Materials you can use in microwave oven or to be avoided in microwave oven." There may be certain non-metallic utensils that are not safe to use for microwaving. If in doubt, you can test the utensil in question following the procedure below.

Utensil Test:

1. Fill a microwave-safe container with 1 cup of cold water (250ml) along with the utensil in question.
2. Cook on maximum power for 1 minute.
3. Carefully feel the utensil. If the empty utensil is warm, do not use it for microwave cooking.
4. Do not exceed 1 minute cooking time.

Materials you can use in microwave oven

Utensils	Remarks
Browning dish	Follow manufacturer's instructions. The bottom of browning dish must be at least 3/16 inch (5mm) above the turntable. Incorrect usage may cause the turntable to break.
Dinnerware	Microwave-safe only. Follow manufacturer's instructions. Do not use cracked or chipped dishes.
Glass jars	Always remove lid. Use only to heat food until just warm. Most glass jars are not heat resistant and may break.
Glassware	Heat-resistant oven glassware only. Make sure there is no metallic trim. Do not use cracked or chipped dishes.
Oven cooking bags	Follow manufacturer's instructions. Do not close with metal tie. Make slits to allow steam to escape.
Paper plates and cups	Use for short-term cooking/warming only. Do not leave oven unattended while cooking.
Paper towels	Use to cover food for reheating and absorbing fat. Use with supervision for a short-term cooking only.
Parchment paper	Use as a cover to prevent splattering or a wrap for steaming.
Plastic	Microwave-safe only. Follow the manufacturer's instructions. Should be labeled "Microwave Safe". Some plastic containers soften, as the food inside gets hot. "Boiling bags" and tightly closed plastic bags should be slit, pierced or vented as directed by package.
Plastic wrap	Microwave-safe only. Use to cover food during cooking to retain moisture. Do not allow plastic wrap to touch food.
Wax paper	Use as a cover to prevent splattering and retain moisture.

Materials to be avoided in microwave oven

Utensils	Remarks
Aluminum tray	May cause arcing. Transfer food into microwave-safe dish.
Food carton with metal handle	May cause arcing. Transfer food into microwave-safe dish.
Metal or metal-trimmed utensils	Metal shields the food from microwave energy. Metal trim may cause arcing.
Metal twist ties	May cause arcing and could cause a fire in the oven.
Paper bags	May cause a fire in the oven.
Plastic foam	Plastic foam may melt or contaminate the liquid inside when exposed to high temperature.
Wood	Wood will dry out when used in the microwave oven and may split or crack.

SET UP & INSTALLATION

SETTING UP YOUR OVEN

Names of Oven Parts and Accessories

Remove the oven and all materials from the carton and oven cavity.

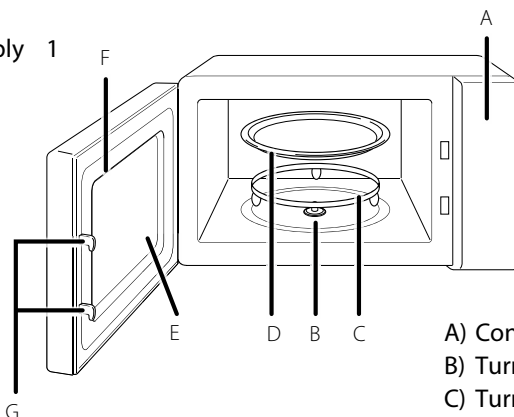
Your oven comes with the following accessories:

Glass tray 1

Turntable ring assembly 1

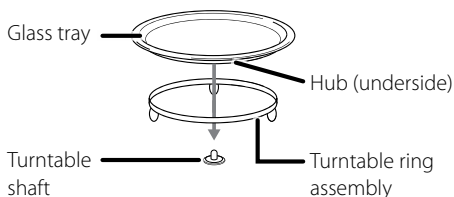
Turntable Shaft 1

Instruction Manual 1



- A) Control panel
- B) Turntable shaft
- C) Turntable ring assembly
- D) Glass tray
- E) Observation window
- F) Door assembly
- G) Safety interlock system

Turntable Installation



- a. Never place the glass tray upside down. Follow the instruction to place the glass tray on the turntable ring with correct direction. The glass tray should rotate smoothly.
- b. Both glass tray and turntable ring assembly must always be used during cooking.
- c. All food and containers of food are always placed on the glass tray for cooking.
- d. If glass tray or turntable ring assembly cracks or breaks, contact your nearest authorized service center.

Countertop Installation

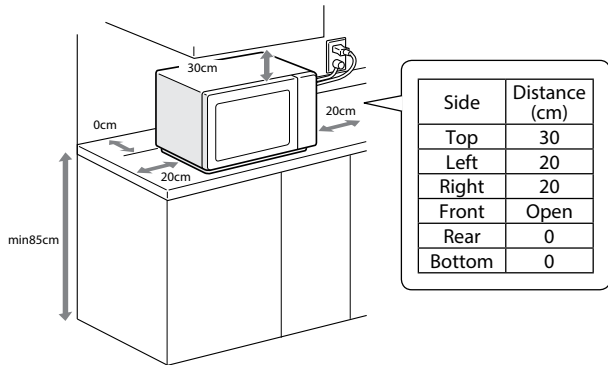
Remove all packing material and accessories. Examine the oven for any damage such as dents or broken door. Do not install if oven is damaged.

Cabinet: Remove any protective film found on the microwave oven cabinet surface.

Do not remove the light brown Mica cover that is attached to the oven cavity to protect the magnetron.

Installation

1. Select a level surface that provide enough open space for the intake and/or outlet vents.



- (1) The minimum installation height is 85cm.
- (2) The rear surface of appliance shall be placed against a wall.
Leave a minimum clearance of 30cm above the oven, a minimum clearance of 20cm is required between the oven and any adjacent walls.
- (3) Do not remove the legs from the bottom of the oven.
- (4) Blocking the intake and/ or outlet openings can damage the oven.
- (5) Place the oven as far away from radios and TV as possible. Operation of microwave oven may cause interference to your radio or TV reception.

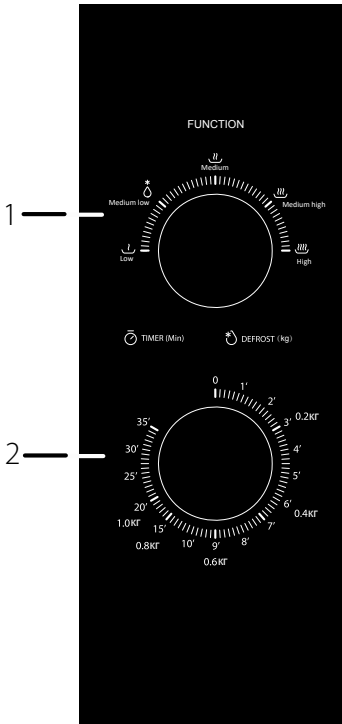
2. Plug your oven into a standard household outlet. Be sure the voltage and the frequency is the same as the voltage and the frequency on the rating label.

WARNING: Do not install oven over a range cooktop or other heat-producing appliance. If installed near or over a heat source, the oven could be damaged and the warranty would be void.

The accessible surface may be hot during operation.



OPERATION



1. POWER knob
2. TIMER knob

- To set cooking power by turning POWER knob to desired level.
- To set the time of cooking by turning TIMER knob to desired time per your food cooking guide.
- The microwave oven will automatically start cooking after power level and time are set.
- After the cooking time is up, the unit will “Dong” to stop.
- If the unit is not in use, always set time to “0”.

Function/Power	Output	Application
Low	17% Micro.	Soften Ice Cream
Med. Low (Defrost)	33% Micro.	Soup Stew, Soften Butter or Defrost
Med.	55% Micro.	Stew, Fish
Med. High	77% Micro.	Rice, Fish, Chicken, Ground Meat
High	100% Micro.	Reheat, Milk, Boil Water, Vegetables, Beverage

Notice: When removing food from the oven, please ensure that the oven power is switched off by turning the timer switch to 0 (zero). Failure to do so, and operating the microwave oven without food in it, can result in overheating and damage to the magnetron.

TROUBLE SHOOTING

Normal

Microwave oven interfering TV reception	Radio and TV reception may be interfered when microwave oven operating. It is similar to the interference of small electrical appliance, like mixer, vacuum cleaner, and electric fan. It is normal.
Dim oven light	In low power microwave cooking, oven light may become dim. It is normal.
Steam accumulating on door, hot air out of vents	In cooking, steam may come out of food. Most will get out from vents. But some may accumulate on cool place like oven door. It is normal.
Oven started accidentally with no food in.	It is forbidden to run the until without any food inside. It is very dangerous.

Trouble	Possible Cause	Remedy
Oven can not be started.	(1) Power cord not plugged in tightly.	Unplug. Then plug again after 10 seconds.
	(2) Fuse blowing or circuit breaker works.	Replace fuse or reset circuit breaker (repaired by professional personnel of our company)
	(3) Trouble with outlet.	Test outlet with other electrical appliances.
Oven does not heat.	(4) Door not closed well.	Close door well.

TOSHIBA



Mikrovlonná trouba

NÁVOD K POUŽITÍ

Model:

MW2-MM20PF(BK)

MW2-MM23PF(BK)

Před použitím mikrovlnné trouby si pečlivě přečtěte tento návod a důsledně jej dodržujte.

Pokud budete dodržovat tyto pokyny, mikrovlnná trouba vám bude sloužit mnoho let.

USCHOVEJTE TENTO NÁVOD NA BEZPEČNÉ MÍSTO

MW2-MM20PF(BK)
MW2-MM23PF(BK)

OBSAH

OBSAH	1
PREVENTIVNÍ OPATŘENÍ	2
TECHNICKÉ PODMÍNKY.....	2
DŮLEŽITÉ BEZPEČNOSTNÍ POKYNY	3-4
ČIŠTĚNÍ	5
NÁDOBÍ	5-6
NASTAVENÍ A INSTALACE	7-8
POUŽÍVÁNÍ.....	9
ODSTRAŇOVÁNÍ ZÁVAD.....	10

PREVENTIVNÍ OPATŘENÍ

PREVENTIVNÍ OPATŘENÍ NA OCHRANU PŘED PŘÍPADNÝM VYSTAVENÍM PŮSOBENÍ MIKROVLNNÉ ENERGIE

- (a) Nepokoušejte se používat tuto troubu s otevřenými dvířky, jinak může dojít ke škodlivému vystavení působení mikrovlnné energie. V žádném případě nemanipulujte s bezpečnostními pojistkami, ani je nevyřazujte s funkce.
- (b) Nevkládejte žádné předměty mezi přední stranu trouby a dvířka, dále zamezte hromadění zbytků čisticích prostředků na těsnicích površích.
- (c) VAROVÁNÍ: v případě poškození dvířek nebo jejich těsnění nesmí být trouba používána, dokud ji odborně způsobilá osoba neopraví.

DOPLŇUJÍCÍ INFORMACE

Pokud není spotřebič udržován v čistotě, může dojít k poškození jeho povrchu a zkrácení životnosti spotřebiče; dále to může vést k nebezpečným situacím.

TECHNICKÉ PODMÍNKY

Model:	MW2-MM20PF(BK)	MW2-MM23PF(BK)
Jmenovité napětí:	230-240V~50Hz	230-240 V~50 Hz
Příkon (mikrovlnný):	1200-1270W	1200-1250 W
Jmenovitý výkon (mikrovlnný):	750-800W	750-800 W
Objem trouby:	20L	23L
Průměr otočného talíře:	Φ 255 mm	Φ 288 mm
Vnější rozměry (Š x H x V):	440x357x259mm	485x405x293 mm
Čistá hmotnost:	přibl. 11,0 kg	přibl. 13,0 kg

DŮLEŽITÉ BEZPEČNOSTNÍ POKYNY

VAROVÁNÍ

Aby se snížilo riziko požáru, zásahu elektrickým proudem, zranění nebo vystavení nadměrného působení energie mikrovlnné trouby při používání spotřebiče dodržujte základní preventivní opatření, včetně následujících:

1. Přečtěte si a dodržujte specifická „PREVENTIVNÍ OPATŘENÍ NA OCHRANU PŘED PŘÍPADNÝM VYSTAVENÍM PŮSOBENÍ MIKROVLNNÉ ENERGIE“.
2. Tento spotřebič smí používat děti a osoby se sníženými fyzickými, smyslovými nebo duševními schopnostmi nebo s nedostatečnými zkušenostmi nebo znalostmi, jsou-li pod dohledem nebo pokud byly poučeny o bezpečném způsobu používání spotřebiče a porozuměli s tím souvisejícím rizikům. Děti si se zařízením nesmí hrát. Čištění a údržbu nesmí provádět děti bez dozoru.
3. Uchovávejte spotřebič a jeho napájecí kabel mimo dosah dětí, pokud nejsou pod trvalým dozorem.
4. V případě poškození napájecího kabelu jej musí vyměnit výrobce, jeho servisní zástupce nebo podobně odborně způsobilé osoby, aby se zamezilo nebezpečí.
5. VAROVÁNÍ: před vyměňováním žárovky vždy spotřebič vypněte, aby se zamezilo případnému zásahu elektrickým proudem.
6. VAROVÁNÍ: Provádění servisních úkonů a oprav zahrnujících sejmутí krytu zajišťujícího ochranu proti mikrovlnné energii je nebezpečné pro každého, kromě odborně způsobilých osob.
7. VAROVÁNÍ: kapaliny a jiné potraviny se nesmí ohřívat v uzavřených nádobách, jelikož hrozí nebezpečí vybuchnutí.
8. Při ohřívání potravin v plastových nebo papírových obalech sledujte troubu, aby se zamezilo případnému zapálení.
9. Používejte pouze nádobí určené pro použití v mikrovlnných troubách.
10. Pokud zpozorujete kouř, spotřebič vypněte nebo odpojte od sítě a nechte dvířka zavřená, aby se případný oheň udušil.
11. Mikrovlnný ohřev nápojů může způsobit zpožděný eruptivní var a proto je nutno při manipulaci s nádobou postupovat opatrně.
12. Před podáním je nutno obsah dětských saviček a krmicích lahví promíchat nebo protřepat a pak zkontrolovat teplotu, aby se zamezilo popálení.
13. Vejce ve skořápce a celá vejce uvařená natvrdo by neměla být v mikrovlnných troubách ohřívána, jelikož mohou vybuchnout i po ukončení ohřívání v mikrovlnné troubě.
14. Troubu je třeba pravidelně čistit a odstraňovat zbytky jídla.
15. Pokud není spotřebič udržován v čistotě, může dojít k poškození jeho povrchu a zkrácení životnosti spotřebiče; dále to může vést k nebezpečným situacím.
16. Používejte pouze teploměr doporučený pro tuto troubu (platí pro trouby vybavené zařízením pro použití teploměru).
17. Mikrovlnnou troubu neumísťujte do skříně, pokud nebyla její funkce ve skříně ověřena.
18. Tento spotřebič je určen k použití v domácnosti a v podobných aplikacích, jako např.:
 - kuchyňské koutky pro personál v prodejnách, kancelářích nebo jiných pracovištích;
 - hosté v hotelech, motelech a v jiných prostředích ubytovacího typu;
 - farmy;
 - krátkodobá ubytovací zařízení.
19. Mikrovlnná trouba je určena k ohřívání potravin a nápojů. Sušení potravin nebo oděvů a zahřívání ohřívacích podložek, pantoflí, mycích houbiček, mokrých oděvů apod. může vést k nebezpečí zranění, zapálení nebo požáru.
20. Při mikrovlnném vaření nejsou přípustné kovové nádoby na potraviny a nápoje.
21. Tento spotřebič nesmí být čistěn parním čistícím zařízením.

22. Tento spotřebič je určen k použití jako volně stojící.
23. Zadní strana spotřebiče musí stát proti stěně.
24. Tento spotřebič není určen k ovládání externím časovačem nebo nezávislým dálkovým ovladačem.

PEČLIVĚ SI NÁVOD PŘEČTĚTE A USCHOVEJTE PRO PŘÍPADNÉ NAHLÉDNUTÍ

Snížení rizika zranění uzemnění instalace

NEBEZPEČÍ

Nebezpečí zásahu elektrickým proudem

Při dotyku vnitřních součástí může dojít k vážnému zranění nebo usmrcení. Spotřebič nerozebírejte.

VAROVÁNÍ

Nebezpečí zásahu elektrickým proudem

Nesprávné použití uzemnění může způsobit zásah elektrickým proudem.

Nezapojujte spotřebič do zásuvky, dokud není řádně instalován a uzemněn.

Tento spotřebič musí být uzemněn. V případě elektrického zkratu snižuje uzemnění nebezpečí zásahu elektrickým proudem zajištěním vodiče pro svedení elektrického proudu.

Tento spotřebič je vybaven napájecím kabelem obsahujícím uzemňovací vodič s uzemněnou zástrčkou. Zástrčka musí být připojena do řádně nainstalované a uzemněné zásuvky.

Pokud dokonale nerozumíte pokynům k uzemnění nebo máte pochybnosti o řádném uzemnění spotřebiče, obraťte se na odborně způsobilého elektrikáře.

Pokud je nutné použít prodlužovací kabel, používejte pouze 3vodičový typ.

1. Dodáváme krátký napájecí kabel, aby se omezilo nebezpečí zamotání nebo klopýtnutí přes delší kabel.
2. Při použití delšího nebo prodlužovacího napájecího kabelu:
 - 1) Jmenovité elektrické parametry delšího nebo prodlužovacího kabelu musí nejméně odpovídat jmenovitým elektrickým parametrům spotřebiče.
 - 2) Prodlužovací kabel musí být 3hodičového uzemněného typu.
 - 3) Dlouhý kabel by měl být uspořádán tak, aby nevisel z kuchyňské linky nebo ze stolu, kde by za něj mohly tahat děti nebo kde hrozí nebezpečí klopýtnutí.

Čištění

Před čištěním vždy odpojte spotřebič od zdroje napájení.

1. Po použití vyčistěte vnitřní prostor trouby lehce navlhčeným hadříkem.
2. Příslušenství čistěte obvyklým způsobem v mýdlové vodě.
3. Rám a těsnění dvířek a sousední díly je nutno v případě znečištění čistit opatrně vlhkým hadříkem.
4. K čištění skla na dvířkách trouby nepoužívejte hrubé abrazivní čisticí prostředky ani ostré kovové škrabky, mohlo by dojít k poškrábání skla.
5. Tip k čištění – snadnější čištění stěn vnitřního prostoru, které mohou přijít do styku s připravovanými potravinami: vložte půl citronu do kbelíku, přidejte 300 ml (12/ pinty) vody a zahřívajte na 100 % mikrovlnného výkonu po dobu 10 minut. Otřete troubu měkkým, suchým hadříkem.

NÁDOBÍ

POZOR

Nebezpečí zranění

Provádění servisních úkonů a oprav zahrnujících sejmutí krytu zajišťujícího ochranu proti mikrovlnné energii je nebezpečné pro každého, kromě odborně způsobilých osob.

Viz pokyny uvedené v části „Materiály, které můžete v mikrovlnné troubě používat“ a „Materiály, které v mikrovlnné troubě nepoužívejte“.

Existuje nekovové nádobí, které nelze bezpečně používat pro mikrovlnný ohřev. V případě pochybností můžete příslušné nádobí vyzkoušet následovně.

Zkouška nádobí:

1. Naplňte nádobu vhodnou pro mikrovlnný ohřev šálkem vody (250 ml) a postavte ji vedle zkoušeného nádobí.
2. Ohřívajte na maximum 1 minutu.
3. Opatrně se nádobí dotkněte. Pokud je prázdné nádobí horké, pak jej v mikrovlnné troubě nepoužívejte.
4. Nepřekračujte dobu ohřevu 1 minutu.

Materiály, které můžete v mikrovlnné troubě používat

Nádobí	Uwagi
Zapékací keramické nádobí	Dodržujte pokyny výrobce. Dno zapékací mísy musí být nejméně 5 mm (316/ palce) nad otočným talířem. Při nesprávném použití může dojít k prasknutí otočného talíře.
Servírovací nádobí	Pouze vhodné pro mikrovlnný ohřev. Dodržujte pokyny výrobce. Nepoužívejte prasklé nebo oprýskané nádobí.
Skleněné lahve	Vždy sejměte víko. Používejte jen k ohřevu, dokud není potrava teplá. Většina skleněných lahví není žáruvzdorná a může dojít k prasknutí.
Skleněné nádobí	Pouze nádobí ze žáruvzdorného skla. Nesmí obsahovat kovové zdobení. Nepoužívejte prasklé nebo oprýskané nádobí.
Varné sáčky do trouby	Dodržujte pokyny výrobce. Nezavírat kovovou sponkou. Sáček propíchněte, aby mohla unikat pára.
Papírové talíře a kelímky	Používejte jen ke krátkodobému vaření/ohřevu. Při ohřívání nenechávejte takové nádobí bez dozoru.
Papírové utěrky	Používejte k zakrytí potravin pro předeštev a vsáknutí mastnoty. Používejte jen ke krátkodobému ohřevu pod dozorem.
Pergamenový papír	Používejte k zakrytí, aby se zamezilo rozstříku, nebo k zabalení při ohřívání v páře.
Plasty	Pouze vhodné pro mikrovlnný ohřev. Dodržujte pokyny výrobce. Měly by být označeny jako „Vhodné pro mikrovlnný ohřev“. Některé plastové nádoby měknou, když se potraviny uvnitř ní zahřívají. „Varné sáčky“ a těsně uzavřené plastové sáčky by měly být propíchnuty nebo odvětrávány dle pokynů na obalu.
Plastové obalové materiály	Pouze vhodné pro mikrovlnný ohřev. Používejte k zakrytí potravin při vaření, aby se v nich udržela vlhkost. Zamezte styku plastových obalových materiálů s potravinami.
Voskový papír	Používejte k zakrytí, aby se zamezilo rozstříku, a pro udržení vlhkosti v potravinách.

Materiály, které v mikrovlnné troubě nepoužívejte

Nádobí	Poznámky
Hliníkový táč	Může způsobovat jiskření. Přendejte potraviny na talíř, který lze používat pro mikrovlnný ohřev.
Krabice na potraviny s kovovým držadlem	Může způsobovat jiskření. Přendejte potraviny na talíř, který lze používat pro mikrovlnný ohřev.
Kovové nádobí nebo nádobí zdobené kovem	Kov stíní potraviny před mikrovlnnou energií. Kovové zdobení může způsobovat jiskření.
Kovové svorky	Mohou způsobovat jiskření a požár v troubě.
Papírové sáčky	Mohou způsobovat požár v peci.
Plastová pěna	Plastová pěna se může roztavit nebo znečistit kapalinu v troubě při vystavení vysokým teplotám.
Dřevo	Při používání v mikrovlnné troubě může dřevo vyschnout a štípat se nebo praskat.

NASTAVENÍ A INSTALACE

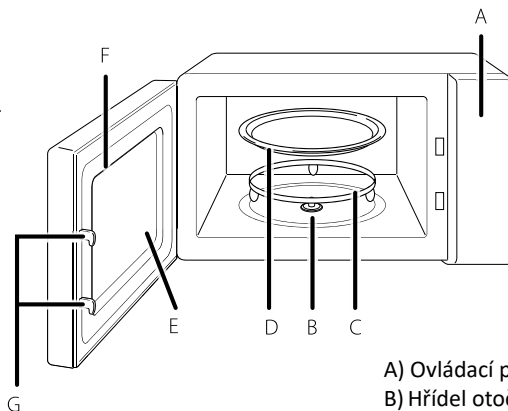
NASTAVENÍ TROUBY

Názvy dílů a příslušenství trouby

Vyjměte troubu a veškeré díly a materiály z krabice a vnitřního prostoru trouby.

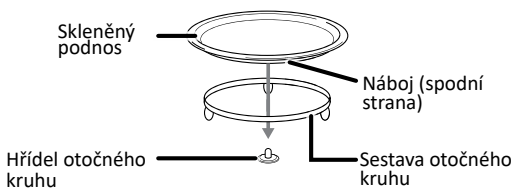
K troubě dodáváme následující příslušenství:

Skleněný podnos 1
Sestava otočného kruhu 1
Hřídel otočného kruhu 1
Návod k použití 1



- A) Ovládací panel
- B) Hřídel otočného kruhu
- C) Sestava otočného kruhu
- D) Skleněný podnos
- E) Pozorovací okno
- F) Sestava dvířek
- G) Bezpečnostní blokovací systém

Instalace otočného kruhu



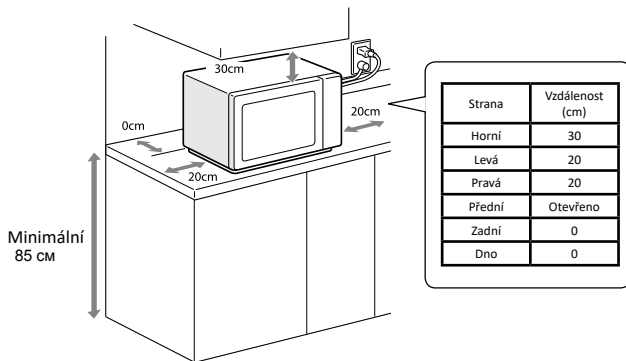
- a. Nikdy nevkládejte skleněný podnos vzhůru nohama. Dodržujte pokyny pro nasazení skleněného podnosu na otočný kruh ve správném směru. Skleněný podnos by se měl plynule otáčet.
- b. Při vaření je nutno vždy používat jak skleněný podnos, tak sestavu otočného stolu.
- c. Při vaření se veškeré potraviny a nádoby s potravinami vždy pokládají na skleněný podnos.
- d. V případě prasknutí skleněného podnosu nebo sestavy otočného kruhu se obraťte na nejbližší autorizované servisní středisko.

Instalace na pracovní desku

Sejměte veškerý obalový materiál a příslušenství. Zkontrolujte, zda není trouba poškozená, např. škrábance nebo prasklá dvířka. Poškozenou troubu neinstalujte. Skříň: sejměte veškeré ochranné vrstvy z povrchu skříňové mikrovlnné trouby. Neodstraňujte světle hnědý slídový kryt připevněný ke vnitřnímu prostoru trouby za účelem ochrany magnetronu.

Instalace

1. Vyberte rovný povrch, který umožňuje dostatečný prostor pro vstupní/výstupní větrací otvory.



- (1) Minimální instalační výška je 85 cm.
- (2) Zadní strana spotřebiče musí stát proti stěně.
Zajistěte minimální prostor nad troubou 30 cm, mezi troubou a jakoukoliv sousední stěnou je nutno zajistit minimální prostor 20 cm.
- (3) Nesundávejte nožky ze spodní části trouby.
- (4) Zakrývání vstupních a/nebo výstupních otvorů může troubu poškodit.
- (5) Umístěte troubu co nejdále od radiových a TV přijímačů. Provoz mikrovlnné trouby může způsobovat rušení příjmu radiového nebo TV signálu.

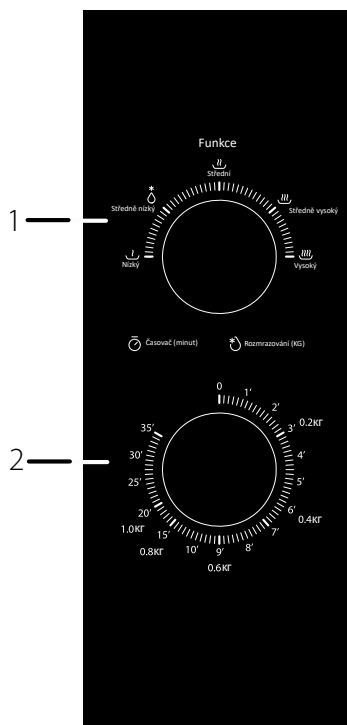
2. Připojte troubu do standardní zásuvky pro domácnosti. Zajistěte, aby napětí a frekvence odpovídaly hodnotám uvedeným na typovém štítku.

VAROVÁNÍ: Neinstalujte troubu nad sporáky ani jiné spotřebiče vyvíjející teplo. V případě instalace v blízkosti zdroje tepla může dojít k poškození trouby, na což se záruka nevztahuje.

Přístupný povrch může být za provozu horký.



POUŽÍVÁNÍ



1. Ovladač POWER (výkon)
2. Ovladač TIMER (časovač)

- Nastavení ohřívacího výkonu provedete otočením ovladače POWER (výkon) na požadovanou úroveň.
- Nastavení času ohřevu provedete otočením ovladače TIMER (časovač) na požadovaný čas dle pokynů k ohřevu vaší potraviny.
- Po nastavení úrovně výkonu a času se mikrovlnná trouba automaticky zapne.
- Po uplynutí doby ohřevu spotřebič „cinkne“ a vypne se.
- Pokud se spotřebič nepoužívá, vždy nastavte čas na hodnotu „0“.

Funkce/výkon	Výkon	Použití
Nízký	17 % mikrovlny	Změknutí zmrzliny
Středně Nízký (rozmrazování)	33% mikrovlny	Polévka, dušená masa, změkčování másla nebo rozmrazování
Střední	55% mikrovlny	Dušená masa, ryba
Středně Vysoký	77% mikrovlny	Rýže, ryba, kuře, mleté maso
Vysoký	100% mikrovlny	Ohřívání, mléko, vařící voda, zelenina, nápoje

Upozornění: Při vyndávání potravin z trouby vždy zajistěte vypnutí výkonu trouby otočením časovače do polohy 0 (nula). Pokud tak neučiníte a provozujete troubu bez potravin uvnitř, může dojít k přehřátí a poškození magnetronu

ODSTRAŇOVÁNÍ ZÁVAD

Běžné situace	
Mikrovlnná trouba ruší příjem TV signálu	Přijem radiového a TV signálu může být za provozu mikrovlnné trouby rušen. Jde o rušení podobné jiným malým elektrickým spotřebičům, např. mixéru, vysavače a fénu. Jde o běžný jev.
Tlumené světlo trouby	Při nízkém výkonu mikrovlnné trouby může být světlo trouby ztlumené. Jde o běžný jev.
Kondenzování páry na dvířkách, z větracích otvorů vychází horký vzduch	Při vaření může z potravin vystupovat pára. Většina páry vychází z větracích otvorů. Část ovšem může kondenzovat na chladných površích, např. na dvířkách trouby. Jde o běžný jev.
Trouba se náhodně zapnula, aniž jsou uvnitř potraviny.	Je zakázáno provozovat troubu, když nejsou uvnitř potraviny. Je to velmi nebezpečné.

Problém	Možná příčina	Řešení
Troubu nelze zapnout.	(1) Napájecí kabel není pevně zapojen.	Odpojte jej. Pak jej znovu připojte za 10 sekund.
	(2) Aktivovala se pojistka nebo jistič.	Vyměňte pojistku nebo resetujte jistič (opravu provádí odborný personál naší společnosti)
	(3) Problém se zásuvkou.	Vyzkoušejte zásuvku s jinými elektrospotřebiči.
Trouba neohřívá.	(4) Dvířka nejsou těsně zavřená.	Zavřete dvířka.

